

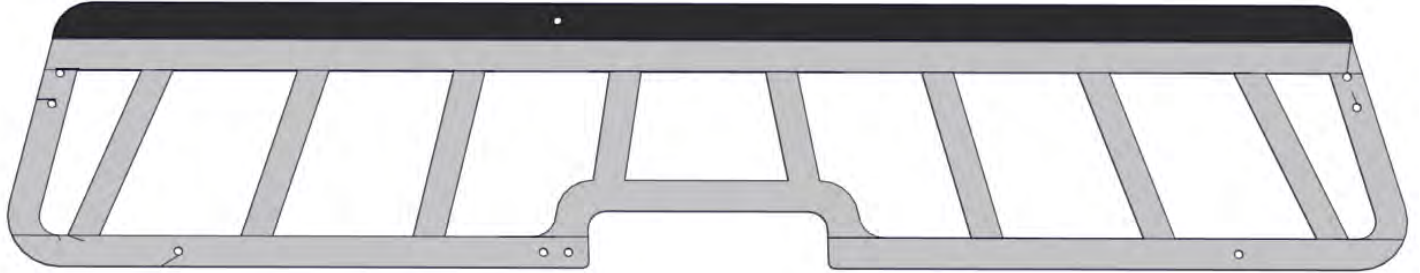


BAR-STYLE REAR WINDOW ARMOR

2025+ RAM 1500 TRADESMAN

Installation Instructions

475-2234



Rear Window Armor



D/S Outside Mount Bracket.



P/S Outside Mount Bracket.



Lower Mount Brackets



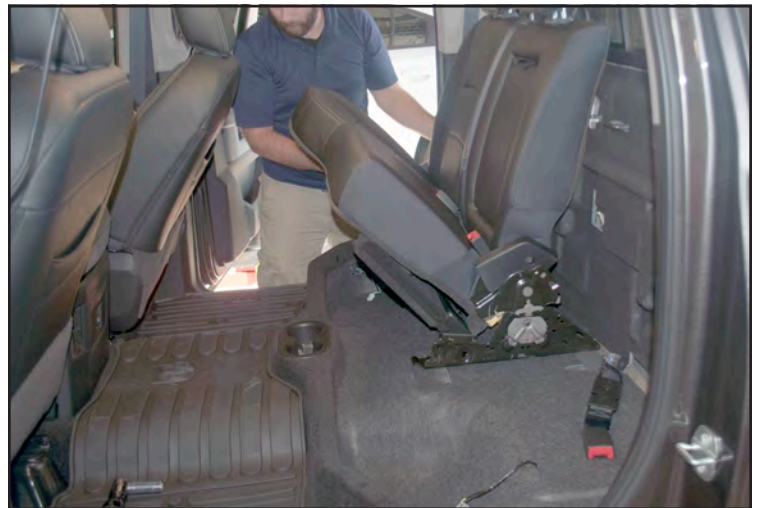
D/S Inside Mount Brackets.



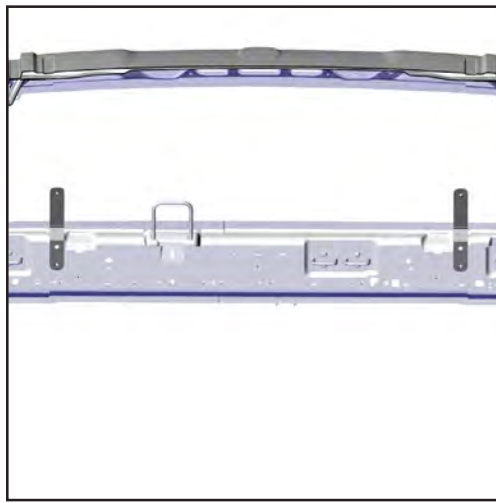
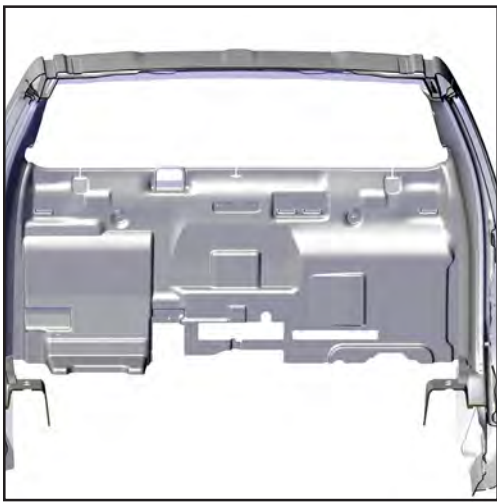
P/S Inside Mount Brackets.



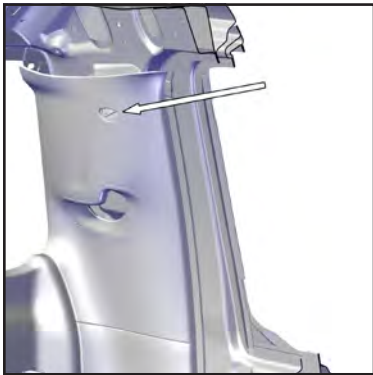
1. Fold rear seat upwards to remove the (8) 18 mm bolts from the underside of seat.



2. Lift rear seat upward to allow it to unhook from the rear latch. Set seat aside.



3. Remove all OEM hardware that secures the rear trim in place, pop loose trim exposing the hardware for the Child Restraint Loops. Remove and replace with the Lower Mount Brackets provided in the Ram Rear Window assembly. Replace rear trim and previously removed hardware.



4. Remove "C" Pillar Upper trim by first removing the screw behind the plastic clip. Carefully pull and unclip the trim away from the frame.
5. Before installing the PS/DS Inside Mount Brackets, you may need to remove clips or move wires aside from the "C" Pillar location.
6. Place the Inside Mount Bracket onto the "C" Pillar frame, aligning the brackets profile within the metal profile. Secure with (3) provided tek screws. Replace the previously removed "C" pillar trim and hardware



7. Outside of the vehicle attach the Outside Mount Brackets to the Rear Window Armor with (4) 10-32 Button Head Cap Screws.
8. Lift the now assembled Rear Window Assembly into position in the vehicle. First secure the Lower Mount Brackets to the Rear Window with (2) 10-32 Button Head Cap Screws, this will give you the mounting alignment for the upper Inside Mount Brackets.
9. Secure the Inside Mount Brackets and Outside Mount Brackets together by using one of the Outside Brackets holes as a drill templet. The Rear Window Armor should already be aligned, so using a 1/8 drill bit make a pilot hole in the center of one of the holes of the Outside Bracket, drilling through the trim locating the bit within the hole of the Inside Mount Bracket. Once one hole is identified, enlarge the hole and secure with a 1/4-20 Button head cap screw. This will ensure the other mounting holes will align properly.

If you have questions or need further assistance please call Technical Support: 1.877.455.6886



209 W. EASY ST., ROGERS, AR 72756 • JOTTOPUBLICSAFETY.COM • 8/25

Jotto Desk™ is a patented product and Registered Trademark of Assembled Products™ Corporation.
Specifications subject to change without notice.

050-0246-00

